

# Raphathu

PROJECTS (PTY)Ltd

**BUSINESS  
PROFILE**

**2025**26



# Raphathu

PROJECTS (PTY)Ltd

## INTRODUCTION

Raphathu Projects (Pty) Ltd is a 100% black owned, multidisciplinary services provider based in three provinces (Limpopo, Gauteng & Mpumalanga) in the Republic of South Africa. Our company is dedicated in providing quality and reliable services to our clients in a timely and cost-effective manner. Not only are we confident in offering you the best turnaround times in the industry and a cutting-edge solution, but we also promise to get the job done while exceeding your expectations.

## MISSION

Our mission is to be the best amongst the equal in Energy/ Electrical & Mechanical construction works, Maintenance, Supply and Mining industry. Providing our clients with satisfactory services which one can be at rest.

## VISION

To provide quality services to South African corporate businesses, industrials, commercials, households and private sectors such as Mines.

## VALUES & CULTURE

Good Quality | Transparency | Professionalism | Growth | Ethical | Brothers keeper  
Safety | Cooperation





# Raphathu

PROJECTS (PTY)Ltd

## OUR SERVICES

### 1. Projects Management:

Our experienced project managers oversee every aspect of a project, from planning to execution & handing over to our clients, we strive our level best to ensure that the project is delivered on time and within budget.

### 2. Solar Energy Projects:

We specialize in the design, planning, installation, commissioning and maintenance of solar energy systems for residential and commercial clients. Our team of experts can help you to reduce your energy costs and become more environmentally friendly as we give you a back-up Grid-tied system or take you totally off-Grid. (GREENCARD license- COC)



### 3. Electrical Projects:

Our skilled electricians provide a wide range of electrical services such as HT/MV/LV cable thumping, fault-locating, termination, Pressure testing & Electrical Apparatus Technical Protection services, including maintenance of electrical systems /issuing of 3 phase Certificate Of Compliance as well (Master Installation - MI). We use high-quality materials and follow strict safety standards to ensure that our clients receive reliable and safe electrical solutions.



### 4. Mining Projects:

We have experience in providing mining services, including drilling, blasting, excavation, conveyer belt and hauling. Our team of professionals is trained to work in challenging environments and comply with all safety regulations (MHS act).





# Raphathu

PROJECTS (PTY)Ltd

## 5. Mechanical Projects:

Our mechanical engineers provide services such as design, installation, and maintenance of mechanical systems, including Generators, plumbing, Ventilation & Refrigeration. We use the latest technology and materials to ensure optimal performance and efficiency.



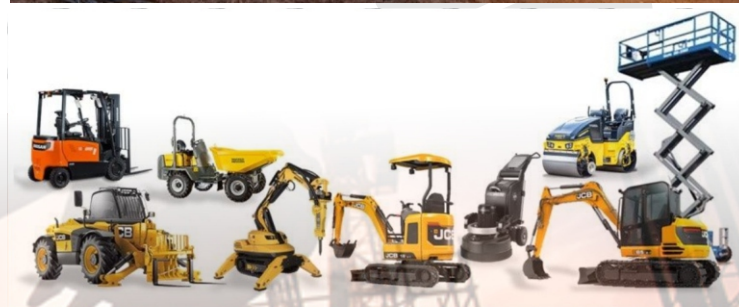
## 6. Civil Projects:

We specialize in the construction of civil engineering projects such as roads, bridges, dams, and buildings. Our team of engineers and builders has the expertise to handle complex projects and deliver quality results.



## 7. Plant Hire:

We offer plant hire services, providing a range of construction equipment, including yellow machines. Our equipment is wellmaintained and serviced regularly to ensure optimal performance and safety.

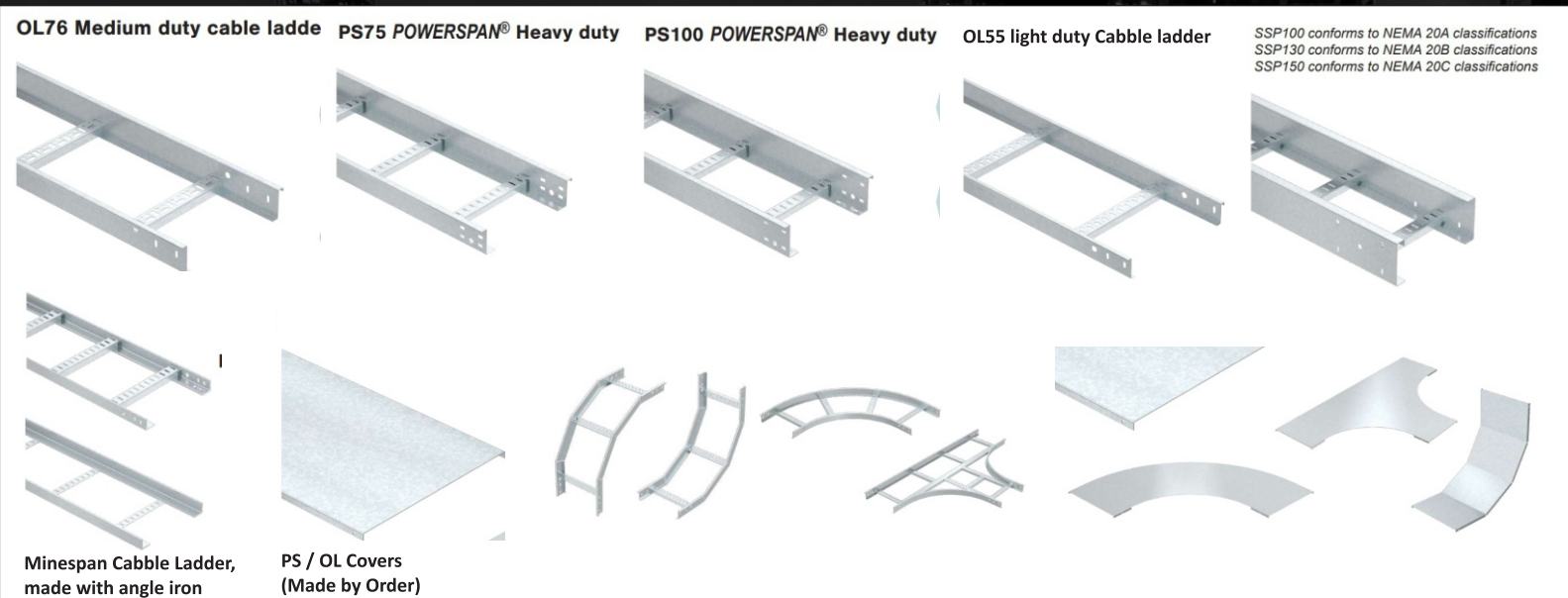


## Cable Racks Suppliers

Raphathu Projects also specializes in the supply of various types of cable racks in different sizes to a wide range of clients. Our cable racks products are sourced from trusted manufacturers and suppliers, ensuring high-quality materials that meet industry standards. We cater to clients from various sectors, including private sectors, government entities, mining and individual customers.

### 1. Comprehensive Range:

We offer a comprehensive range of cable racks products in different shapes, including beams, channels, angles, plates, tubes, pipes, and more. Whether you require structural steel for construction projects or specific cable racks components for industrial applications, we have the right solution for your needs.



### 2. Quality Assurance:

We understand the importance of using reliable and durable steel materials. Hence, we ensure that all our steel products undergo stringent quality checks to meet industry standards and specifications. Our commitment to quality ensures that our clients receive materials that are built to last.

### 3. Customization:

We provide customized steel solutions tailored to meet the specific requirements of our clients. Our team of experts works closely with customers to understand their needs and deliver steel products in the desired shapes, sizes, and specifications. We strive to offer flexibility and adaptability to accommodate unique project requirements.

### 4. Timely Delivery:

We prioritize prompt delivery to ensure that our clients can proceed with their projects without delay. With efficient logistics and a strong network of suppliers, we aim to deliver steel products within the agreed-upon timeframes, regardless of the project size or location.



**Raphathu**  
PROJECTS (PTY)Ltd

### 5. Client Diversity:

We serve a diverse range of clients, including private sectors, government entities, mining companies, and individual customers. We understand the varying needs and demands of different sectors and tailor our services to meet their specific requirements.

### 6. Competitive Pricing:

We believe in offering competitive pricing without compromising on the quality of our steel products. Our aim is to provide cost-effective solutions that meet the budgetary constraints of our clients while maintaining the highest standards of quality.

Whether you need steel materials for construction projects, infrastructure development, industrial applications, or personal use, Raphathu Projects is your trusted supplier. Contact us to discuss your steel requirements, and our dedicated team will assist you in finding the right steel products to meet your needs.





# Raphathu

PROJECTS (PTY)Ltd

## BUSH CLEARING

Raphathu Projects specializes in comprehensive bush clearing services. Our dedicated team excels in grass carting, efficiently removing tangled vegetation. With finesse in tree pruning, we sculpt your landscape, enhancing aesthetics and health.

For more extensive transformations, our adept tree felling ensures safety and precision. From residential gardens to sprawling estates, we tailor solutions to your needs.

Our eco-friendly approach emphasizes responsible disposal and preservation of natural habitats. Witness your property's true potential emerge as we combine expertise in grass carting, tree pruning, and tree felling.

Choose Raphathu Projects to reclaim your land and create a harmonious environment that thrives.





**Raphathu**  
PROJECTS (PTY)Ltd

# SCAFFOLDING **ERECTING** AND INSPECTING

Elevate your projects with precision. Our seasoned experts specialize in scaffolding erecting and inspecting. From towering structures to intricate spaces, we ensure secure platforms tailored to your needs. Raphathu Projects yet meticulous assembly guarantees efficiency, while thorough inspections assure safety at every level. Committed to industry standards, Raphathu Projects Scaffold Masters delivers reliable solutions for construction, maintenance, and more. Heighten your success with our unparalleled scaffolding prowess. When erecting possibilities and inspecting for perfection, choose the elevated expertise of Raphathu Projects – where safety, reliability, and innovation converge.





# Raphathu

PROJECTS (PTY)Ltd

## Our Key **Clients**

- |                             |                |        |
|-----------------------------|----------------|--------|
| 1. Ivanplats Mine           | Vendor no:     | 141686 |
| 2. UMM Contracting Services | Supplier Code: | RAP001 |
| 3. Palabora Copper (PMC)    | Vendor no:     | 24272  |
| 4. Eskom Holdings           | Vendor no:     |        |
| 5. MTC Underground Mining   | Supplier Code: | RAP002 |
6. Various Local Municipalities such as Mogalakwena, Modimolle-Mookgophong Capricorn District and many more.
7. Marula Heights Estate.
8. Plenty of private Client's.





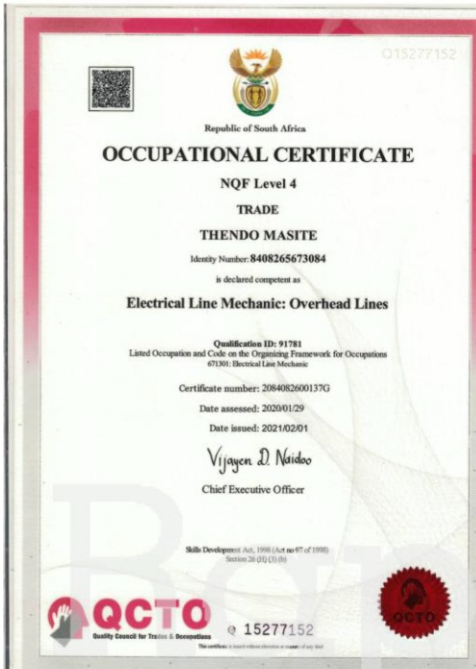
# Raphathu

PROJECTS (PTY)Ltd

At Raphathu Projects, we are committed to delivering quality services to our clients. We have a proven track record of success in the construction industry and are dedicated to meeting our clients' needs and exceeding their expectations. Contact us today to learn more about our services and how we can help you with your next construction project.

## SOLAR ENERGY CERTIFICATES





Yak	Yak	Yak	Yak
240-13566387	Installation of bird flappers / fault locators / alarms.	NI	
240-13566391	Installation / maintenance of drop-out fuse link / ganged isolators on vertical structures.	NI	
240-13473945	Maintenance of cut-out fuse link / ganged isolators. (1 wire strain or 1-off)	NI	
DMN 34-809	Pole change and conversion of a wirebone configuration to a staggered delta.	NI	
240-13473949	Replacement of wirebone cross arms.	NI	
240-13566208	Changing pin / post insulators on vertical and staggered vertical structures.	Scenario 2 only	
240-13566727	Changing strain insulators on vertical structures.	NI	
DMN 34-1110	Construction of a Vee / customer connection from a vertical structure.	NI	
240-13566875	Pruning of trees.	NI	
240-13461630	Making and breaking of jumpers.	NI	
240-13566128	Changing SCF wooden pole structure to an "H" pole wooden structure on 11kV and 22kV lines.	NI	
240-13566970	Installation / replacement of stay insulators.	NI	
DMN 34-2179	Changing pin / post / suspension insulators on horizontal / delta / H pole / SCF / wirebone / Vee configuration.	Scenario 2 only	
DMN 34-2181	Strain insulator change on horizontal / delta type cross-arm configuration.	NI	
240-4592087	Changing intermediate to in-line strain pole.	NI	
240-6894910	Changing an intermediate to a strain using live work gloving method.	NI	

Exploited by: GTS  
 Undertaken and accepted by: T. Masithe  
 Supported by: Sir Supervisor

Yak	Yak	Yak	Yak
1.03	Responsible person restricted to: (e.g. lines work only, cable work only, etc.) up to and including 132kV		
2.3.2	Transmission of messages up to and including 132kV		
2.3.3.1	Accept pre-authorized instructions up to and including 132kV		
2.3.3.2	Taking permission to operate and work up to and including 132kV		
2.3.3.3	Taking permission to sectionalise up to and including 132kV		
2.7.1	Checking of charging up to and including 132kV only		
3.1.2	Access to live chambers, restricted- and prohibited areas up to and including 132kV		
3.2	Supervise work in Live Chamber up to and including 132kV		
3.4	Supervise work in Restricted areas up to and including 132kV		
4.2.4	Right to possess live & key		
5.1	Perform switching operations up to and including 132kV		
5.1.1	Perform taking operations up to and including 132kV		
5.1.2	Perform safety testing operations up to and including 132kV		
5.1.3	Perform switching operations up to and including 132kV		
5.1.4	Supervise people to Perform switching/testing/safety testing/testing operations up to and including 132kV		
5.1.5	Take handover up to and including 132kV		
5.1.6	Supervise work in close proximity to live conductors or apparatus up to and including 132kV		
5.6.2	Replace Drop out fuse isolator up to and including 132kV		
5.8	Supervise persons working in prohibited areas. Conduct supervision in accordance with 240-6894906		
5.8.2	Testing of equipment up to and including 132kV		
6.4	Restoration of supply		
8.2	Issue of work permits up to and including 132kV		
8.2.7	Supervise work without a work permit up to and including 132kV		

THE AUTHORIZATION DETAILED ABOVE IS UNDERSTOOD BY ME AND I ACCEPT THE DUTIES AND RESPONSIBILITIES SET OUT THEREIN. CONTRACTORS ACCEPT RESPONSIBILITIES ON OWN RISK.





**LIFE STYLE COLLEGE CERTIFICATE**

This is to Certify  
**Thendo Masithe**  
has completed the  
**Horticulture**  
course at Lifestyle College

3 Days  
Number of Days for Course

8408265673084  
Identity Number

308235  
Certificate Number

30 November 2022

Principal: RJ Gibb




*Certificate Of Competence*

THIS CERTIFICATE IS PROUDLY PRESENTED TO

**T Masithe**

ID:

**8408265673084**

For Successfully Completing The Training Specified Below  
And Exercising The Competence To Achieve The Intended Results

**Herbicide**

U/S: 116813 - LEVEL 2 - CREDITS 2

Date Issued: 2023/06/27  
Expiry Date: 2025-06-26  
Certificate No: AMDT-FP&M-2022-01-FA62

*Signature*




P O Box 3031, Dalview, Brakpan, Gauteng, 1544 Tel: 086 722 7602 Fax: 086 611 0275 www.datamatrix.co.za

**DATA MATRIX EDUCATION & TRAINING**

Provider registered with FP&M SETA and the Department of Labour to provide accredited training as per the Occupational Health and Safety Act (95 of 1997)

ACCREDITED TRAINING PROVIDER WITH : FP&M SETA ACCREDITATION NUMBER: FPM16/PRPACC-005

**CERTIFICATE OF COMPETENCY**

THIS IS TO CERTIFY THAT

**T. MASITHE**  
840826 5673 084

HAS SUCCESSFULLY COMPLETED A TRAINING COURSE,  
APPROPRIATE ASSESSMENTS AND DEMONSTRATED COMPETENCY IN  
"FELL TREES WITH A CHAINSAW USING THE STANDARD TECHNIQUE AND  
FELLING LEVERS"

TRAINING DURATION: 3DAY/s TRAINING DATES: 22-24/02/2021  
ISSUED: 01/03/2021 COURSE NUMBER: CSFTS/210422  
EXPIRY DATE: 28/02/2024 CERTIFICATE NUMBER: 300149

UNIT STANDARD: 117062 CREDITS: 2  
ASSESSOR NUMBER: 754/ASS/000363

*Signature*  
CO-ORDINATOR

*Signature*  
TRAINING MANAGER



Issued without erasure or alteration and only valid as per expiry date



P O Box 3031, Dalview, Brakpan, Gauteng, 1544 Tel: 086 722 7602 Fax: 086 611 0275 www.datamatrix.co.za

**DATA MATRIX EDUCATION & TRAINING**

Provider registered with FP&M SETA and the Department of Labour to provide accredited training as per the Occupational Health and Safety Act (95 of 1997)

ACCREDITED TRAINING PROVIDER WITH : FP&M SETA ACCREDITATION NUMBER: FPM16/PRPACC-005

**CERTIFICATE OF COMPETENCY**

THIS IS TO CERTIFY THAT

**T. MASITHE**  
840826 5673 084  
4278669

HAS SUCCESSFULLY COMPLETED A TRAINING COURSE,  
APPROPRIATE ASSESSMENTS AND DEMONSTRATED COMPETENCY IN  
OPERATE BRUSHCUTTERS IN COMMERCIAL FORESTRY

TRAINING DURATION: 2DAY/s TRAINING DATES: 25-26/02/2021  
ISSUED: 01/03/2021 COURSE NUMBER: BROCF/210423  
EXPIRY DATE: 28/02/2024 CERTIFICATE NUMBER: 300132

UNIT STANDARD: 123243 CREDITS: 5  
ASSESSOR NUMBER: 754/ASS/000363

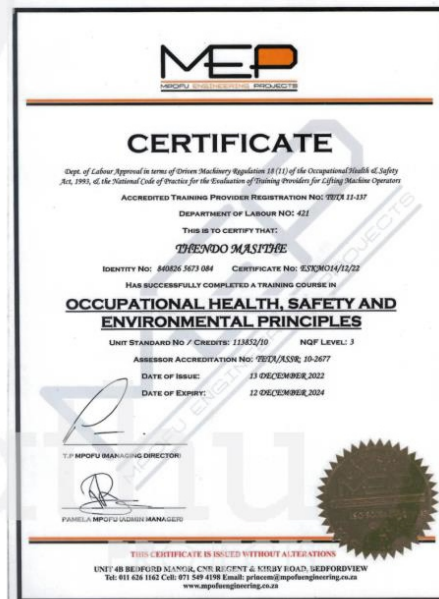
*Signature*  
CO-ORDINATOR

*Signature*  
TRAINING MANAGER



Issued without erasure or alteration and only valid as per expiry date

# SAFETY CERTIFICATES



## Registered With the following Organisations:

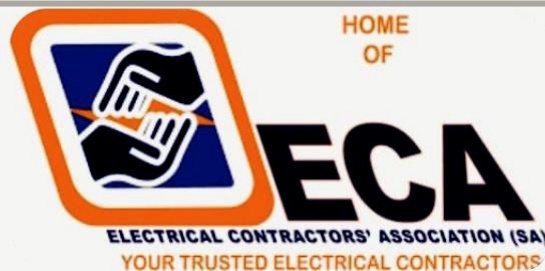
For Solar installation we are registered and affiliated with South African photovoltaic Industry Association (SAPVIA) and we are certified PV GreenCard Installers.



For Domestic, Commercial and Industrial electrical wiring, inspection, testing, issuing of certificate of compliance (COC) and maintenance, we are affiliated to and regulated by Electrical Conformance Board (ECB).



For all your infrastructure electrical installations such as Overhead lines, Underground cables / Minisubs, Streetlights etc. We are affiliated to and regulated by Electrical Contractors' Association of South Africa (ECA SA)



We are registered as an Electrical Contractor in terms of the Occupational Health and Safety Act of 1993 and Regulation 6(4) of the Electrical Installation Regulations.



employment & labour

Department:  
Employment and Labour  
REPUBLIC OF SOUTH AFRICA



Compensation Fund  
WORKING FOR YOU

We are registered under Construction Industry Development Board (CIDB)





# Raphathu

PROJECTS (PTY)Ltd

1. B41 N11 road  
Ga-Mokaba Village  
Mokopane  
Limpopo  
0600

2. 100 Market street  
Office 10  
Amie Bava Square  
Polokwane  
Limpopo  
0700

3. 0186-RosewoodEstate  
Cnr Raven and Nightngale Roads  
Greenhill  
Randfontein  
Gauteng  
1579

4. E756 Block E  
Tshivhazwulu Ha-Mangilasi  
Village  
Tshino  
Limpopo  
0952

